

**Martin, Jackie**

---

**From:** Laurie Mifsud <lmifsud@infotech.com>  
**Sent:** Tuesday, January 10, 2012 3:24 PM  
**To:** Martin, Jackie  
**Subject:** Delegation Status Submission  
**Attachments:** London Hydro Permission.htm; ProposedBanner.pdf; Flag Pole Banner Specs.pdf; BannersonRichmond.JPG; BannersonRichmond2.JPG; AdelaidePoles.JPG; QueensAvePoles.JPG

To Whom it may concern

Please accept this email requesting an amendment to the existing by-law to allow our organization to post flag pole banners on the hydro poles along our property line on Queens and Adelaide (Info-Tech Research Group-602 Queens Avenue-attached pictures of hydro poles). I have attached a letter from Brad Wilfong, London Hydro granting permission to install the flag-pole banners on to the hydro poles. The flag pole banner specs and one of the designs of the banners are also attached. There are flag-pole banners scattered throughout the city for different organizations and events, an example of an existing flag-pole banner for the Grand Theatre on Richmond Street is also included.

Please kindly review submission and consider amendment.

Thank you.

*Laurie Mifsud*

*Account Manager*


*Telephone: 1-888-670-8889 Ext. 2715/001-519-432-3550*

*Email: [lmifsud@infotech.com](mailto:lmifsud@infotech.com)*

*Web: [www.infotech.com](http://www.infotech.com)*

**INFO~TECH**  
RESEARCH GROUP

**Find Out Why...** Outsell ranked Info-Tech Research Group higher than both Gartner and Forrester in 2010.

Looking to stay updated with our latest content? 

30"

60"



Front



Back

Description:

File Name:

Approved  
  Note Changes & Make Signs  
  Note Changes & Show New Proof

**\*\*PROOF APPROVAL FOR PRINTING\*\*** please sign, fax or email back  
 Read proof carefully. You are responsible for verification.  
 Any changes, errors or corrections noted by you after printing will be at your expense

X \_\_\_\_\_



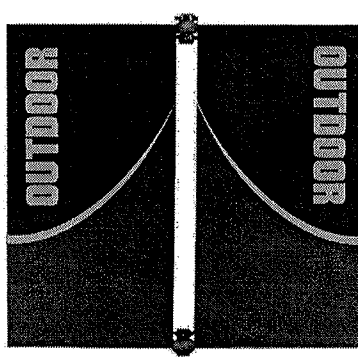
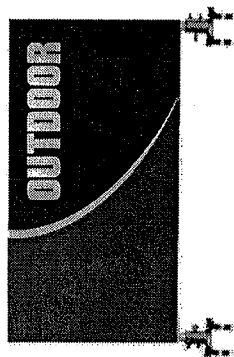
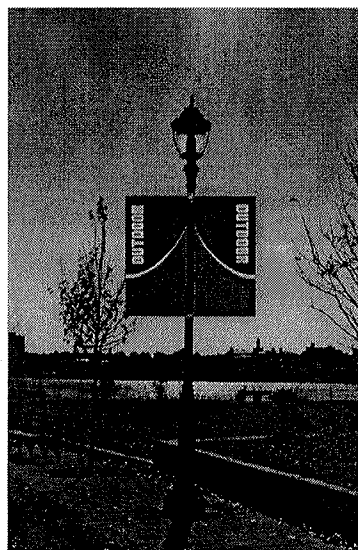
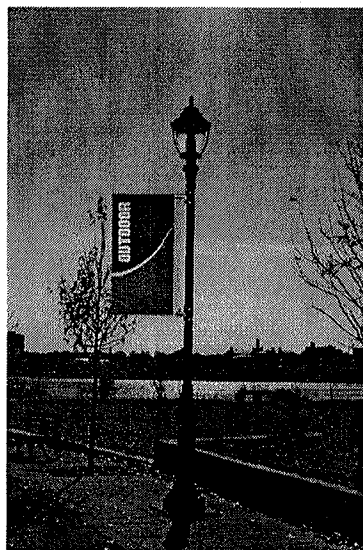
645 Newbold St. Unit D  
 London, ON N6E 2T8  
 519-649-0282 Fax: 519-649-5209

[www.speedprolondon.com](http://www.speedprolondon.com)

"This Layout is the sole property of Speedpro Imaging and cannot be duplicated, in whole or in part, without the permission of Speedpro Imaging."

# Parkway

This outdoor pole banner has both stability and looks. With single and double span options and double sided graphics, the display is sure to grab your attention.



## Features and Benefits

- Sturdy outdoor construction
- Withstands winds up to 38mph
- Single or double span available
- Double sided graphics

## Dimensions

### Display Dimensions:

Single Sided: 32"l x 60"h  
Double Sided: 67"l x 60"h

### Graphic Dimensions:

Single Sided: 30"l x 60"h  
Double Sided: 30"l x 60"h

Weight: Single 11 lbs, Double 14 lbs

#3 grommets in corners

## Additional Information

**Shipping Dimensions:** Single and Double sided displays both ship in one box and one tube

Box: 38" x 5.125" x 2.75"

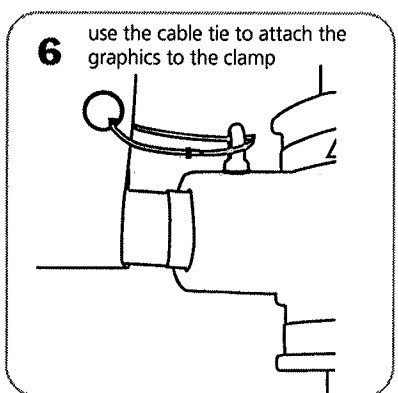
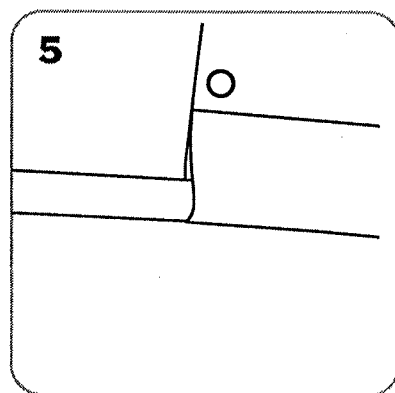
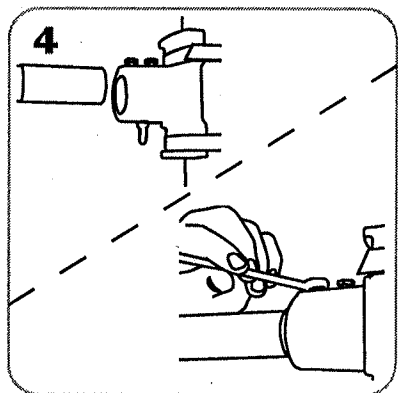
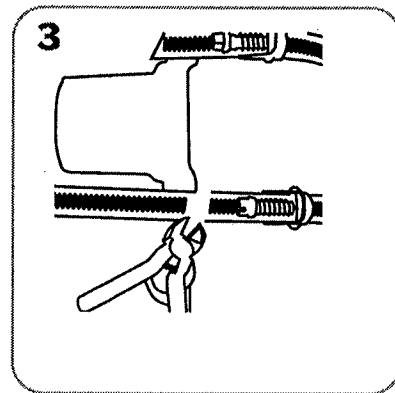
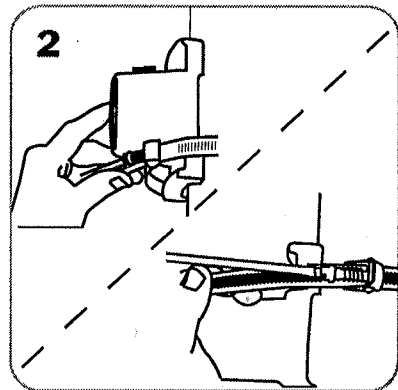
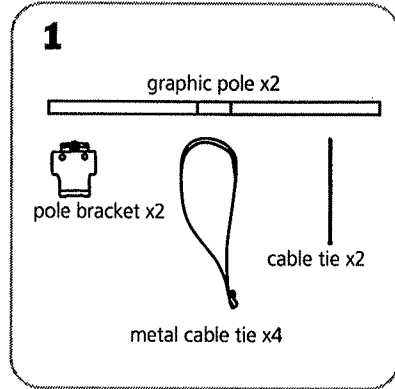
Tube: 33.75" x 4" x 4"

### Shipping Weight:

Single: Box, 5.95 lbs Tube, 6.55 lbs Total, 12.5 lbs

Double: Box, 8.7 lbs Tube, 7.25 lbs Total, 15.95 lbs

## Single Span Assembly



## Double Span Assembly

